

# Sanitary bimetal thermometer (3-A Marking)

**Model : T123**

Spec. sheet no. TD01-06

## Service intended

Sanitary bimetal thermometer is used for measuring temperature of corrosive and contaminated materials. Its usage expands to food, beverage, biochemical and pharmaceutical industry.



## Nominal diameter

75 and 100 mm

## Accuracy

±2.0 % of full scale

## Temperature element

Coiled bimetal

## Working range

Maximum scale value



## Standard features

### Location of stem

Bottom connection, direct

### Pointer

Black painted aluminium alloy

### Case

304SS

### Stem

6.0, 6.4 and 8.0 mm diameter  
304SS, 316SS and 316L SS

### Cover

304SS

### Zero adjustment

Internal

### Window

Glass

### Stem, process connection

Tri-clamp  
1S, 1½S, 2S

### Dial

White aluminium with black graduations

### Option

±1.0 % of full scale

**1. Base model**

**T123** Sanitary bimetal thermometer (3-A marking)

**2. Nominal diameter (mm)**

- 3 75
- 4 100

**3. Type of mounting**

**W** Bottom connection, direct

**4. Stem material**

- 0 304SS
- 1 316SS
- 2 316L SS

**5. Stem, process connection**

- D 1S
- E 1½S
- F 2S

**6. Stem connection type**

**T** Tri-clamp

**7. Stem outer diameter (mm)**

- 0 6.0
- 1 6.4
- 2 8.0

**8. Range**

**XXX** Refer to scale range table

**9. Insertion length**

**X** Refer to insertion length table

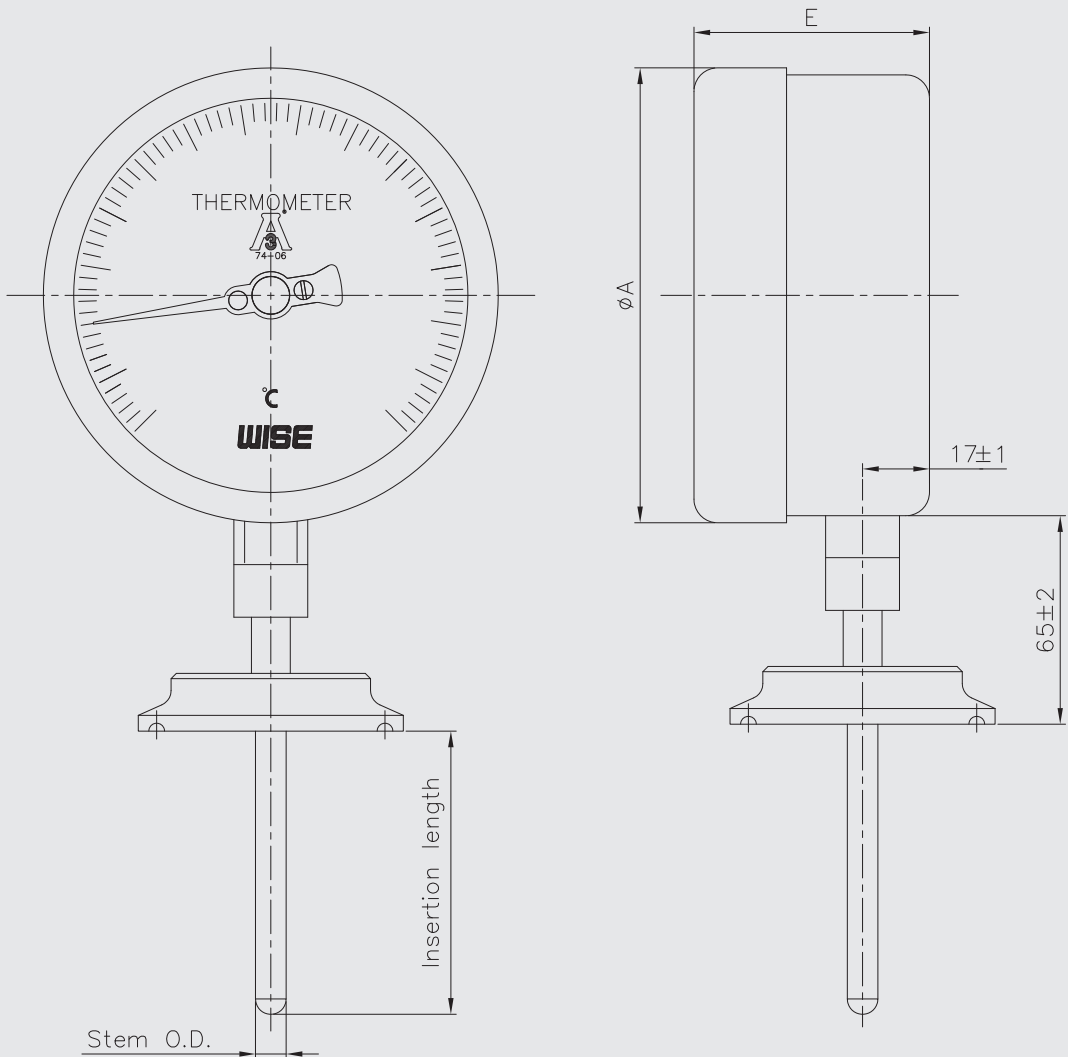
**10. Accessories**

- 0 None
- 1 Thermowell
- 2 Special accuracy ( $\pm 1.0$  % of full scale)
- 3 Thermowell and special accuracy

1	2	3	4	5	6	7	8	9	10
T123	4	W	1	F	T	2	XXX	X	0

Sample  
ordering code

## T123 : Type of mounting



Dimensions (mm)

Dial Size	A	E±2
75	86.5	43
100	111	50.5

## Scale ranges

Code	Scale range (°C)	Scale spacing (°C)	Minimum stem length (mm)	
			6.0 and 6.4	8.0 and 10.0
061	-30 ~ 120	2	45	35
079	-20 ~ 150	5	40	35
084	-10 ~ 50	1	95	80
106	0 ~ 120	2	50	45
109	0 ~ 150	2	45	35
114	0 ~ 200	5	35	35
119	0 ~ 250	5	35	30
124	0 ~ 300	5	35	25
129	0 ~ 350	5	30	25
134	0 ~ 400	10	80	65
144	0 ~ 500	10	70	60
154	0 ~ 600	10	70	60

## Insertion length

Code	1	2	3	4	5	6	7	8	9	A	B	C
Length (mm)	50	60	70	80	100	120	130	150	175	200	225	250

Code	D	E	F	G	H	J	K	L	M	N	P
Length (mm)	275	300	350	375	400	450	500	550	1,000	1,500	2,000