

# Euro gauge

## Liquid filled industrial pressure gauge

### Model : P258 series

Spec. sheet no. PD02-13

#### Service intended

P258 series are suitable for corrosive environments.  
Typical application includes : Chemical, petro-chemical, refining process, power generation, marine and food industry. The filled liquid absorbs vibration and pulsation.

#### Nominal diameter

63, 80, 100 and 160 mm

#### Accuracy

P2582 (63 mm) and P2583 (80 mm) :  $\pm 1.6$  % of full scale  
P2584 (100 mm) and P2586 (160 mm) :  $\pm 0.5$  % of full scale  
 $\pm 1.0$  % of full scale

#### Scale range (MPa, kPa, bar)

63 and 80 mm : 0.1 ~ 0 to 0 ~ 100 MPa  
100 and 160 mm : 0.1 ~ 0 to 0 ~ 200 MPa

#### Working pressure

Steady : 75 % of full scale (63 and 80 mm)  
100 % of full scale (100 and 160 mm)  
Over range protection : 130 % of full scale

#### Filling liquid

Glycerin

#### Working temperature

Ambient : -20 ~ 65 °C (With glycerin filling)  
-40 ~ 65 °C (With silicone filling)  
Fluid : Max. 100 °C (With glycerin filling)  
Max. 100 °C (With silicone filling)

#### Degree of protection

EN60529/IEC529/IP67  
EN60529/IEC529/IP66

#### Temperature effect

Accuracy at temperature above and below the reference temperature (20 °C) will be effected by approximately  $\pm 0.4$  % per 10 °C of full scale



### Standard features

#### Pressure connection

Stainless steel (316SS)

#### Element

Stainless steel (316SS),  
Model : P2584 (100 mm) and P2586 (160 mm)  
<10 MPa : C type bourdon tube  
 $\geq 10$  MPa : Helical type bourdon tube  
Model : P2582 (63 mm) and P2583 (80 mm)  
<6 MPa : C type bourdon tube  
 $\geq 6$  MPa : Helical type bourdon tube

#### Blowout protection

Back, Rubber disc for 80, 100 and 160 mm  
Top, Rubber disc for 63 mm

#### Case

Stainless steel (304SS)

#### Cover

Stainless steel (304SS)  
Bayonet type

#### Window

Laminated safety glass

#### Movement

Stainless steel

#### Dial

White aluminium with black graduations

#### Pointer

Black painted aluminium alloy

#### Process connection

63 mm :  $\frac{1}{8}$ ",  $\frac{1}{4}$ " PT, NPT and PF  
80 mm :  $\frac{1}{4}$ ",  $\frac{3}{8}$ " PT, NPT and PF  
100 and 160 mm :  $\frac{1}{4}$ ",  $\frac{3}{8}$ ",  $\frac{1}{2}$ " PT, NPT and PF

#### Certificates

Pressure equipment directive (2014/68/EU)-Annex III Module H  
ATEX II 2G Ex h IIC T6...T1 Gb  
ATEX II 2D Ex h IIIC T85°C...T450°C Db

#### Option

Zero adjustable pointer  
(Only available with diameter 100 and 160 mm)  
Zero adjustment (External) : 100 and 160 mm  
Pressure connection and element : Monel  
(Only available with diameter 100 and 160 mm)  
Silicone filling  
Maximum Pointer  
(Not applicable to under 3 bar, Only available with diameter 100 mm)

**1. Base model**

**P258** Liquid filled industrial pressure gauge

**2. Nominal diameter (mm)**

<b>2</b>	63
<b>3</b>	80
<b>4</b>	100
<b>6</b>	160

**3. Type of mounting**

<b>A</b>	Bottom connection, direct
<b>B</b>	Bottom connection, surface, case mounting plate
<b>C</b>	Bottom connection, flush, cover mounting plate
<b>F</b>	Center back connection, direct, only available with diameter 63 mm
<b>G</b>	Lower back connection, direct
<b>H</b>	Center back connection, flush, case center mounting plate, only available with diameter 63 mm
<b>I</b>	Center back connection, flush, case center mounting plate with bracket only available with diameter 63 mm
<b>J</b>	Center back connection, flush, cover mounting plate, only available with diameter 63 mm
<b>L</b>	Lower back connection, flush, case center mounting plate
<b>M</b>	Lower back connection, flush, case center mounting bracket
<b>N</b>	Lower back connection, flush, cover mounting plate
<b>V</b>	Center back connection, flush, cover mounting bracket, only available with diameter 63 mm
<b>W</b>	Lower back connection, flush, cover mounting bracket

**4. Accuracy**

<b>2</b>	±0.5 % of full scale, only available with diameter 100 and 160 mm, not available with range 0.4 and 0.5 bar
<b>3</b>	±1.0 % of full scale, not available with diameter 63 and 80 mm
<b>4</b>	±1.6 % of full scale, only available with diameter 63 and 80 mm

**5. Process connection**

<b>B</b>	1/8"
<b>C</b>	1/4"
<b>D</b>	3/8", not available with diameter 63 mm
<b>E</b>	1/2", not available with diameter 63 and 80 mm

**6. Connection type**

<b>B</b>	PF
<b>C</b>	PT
<b>D</b>	NPT
<b>F</b>	BSPT
<b>G</b>	BSP (G)
<b>Z</b>	Other

**7. Unit**

<b>H</b>	bar
<b>I</b>	MPa
<b>J</b>	kPa
<b>Z</b>	Other

**8. Range**

**XXX** Refer to pressure unit and range table

**9. Pressure connection material and dial color**

<b>3</b>	316SS and 2 colors
<b>4</b>	316L SS and 2 colors
<b>7</b>	316SS and 3 colors
<b>8</b>	316L SS and 3 colors
<b>Z</b>	Monel (Only available with diameter 100 and 160 mm)

**10. Option**

<b>0</b>	None
<b>1</b>	Accessories
<b>2</b>	Silicone filling
<b>3</b>	Accessories and silicone filling

**11. Adjustable pointer**

<b>0</b>	None
<b>1</b>	Zero adjustable pointer
<b>2</b>	External zero adjustment

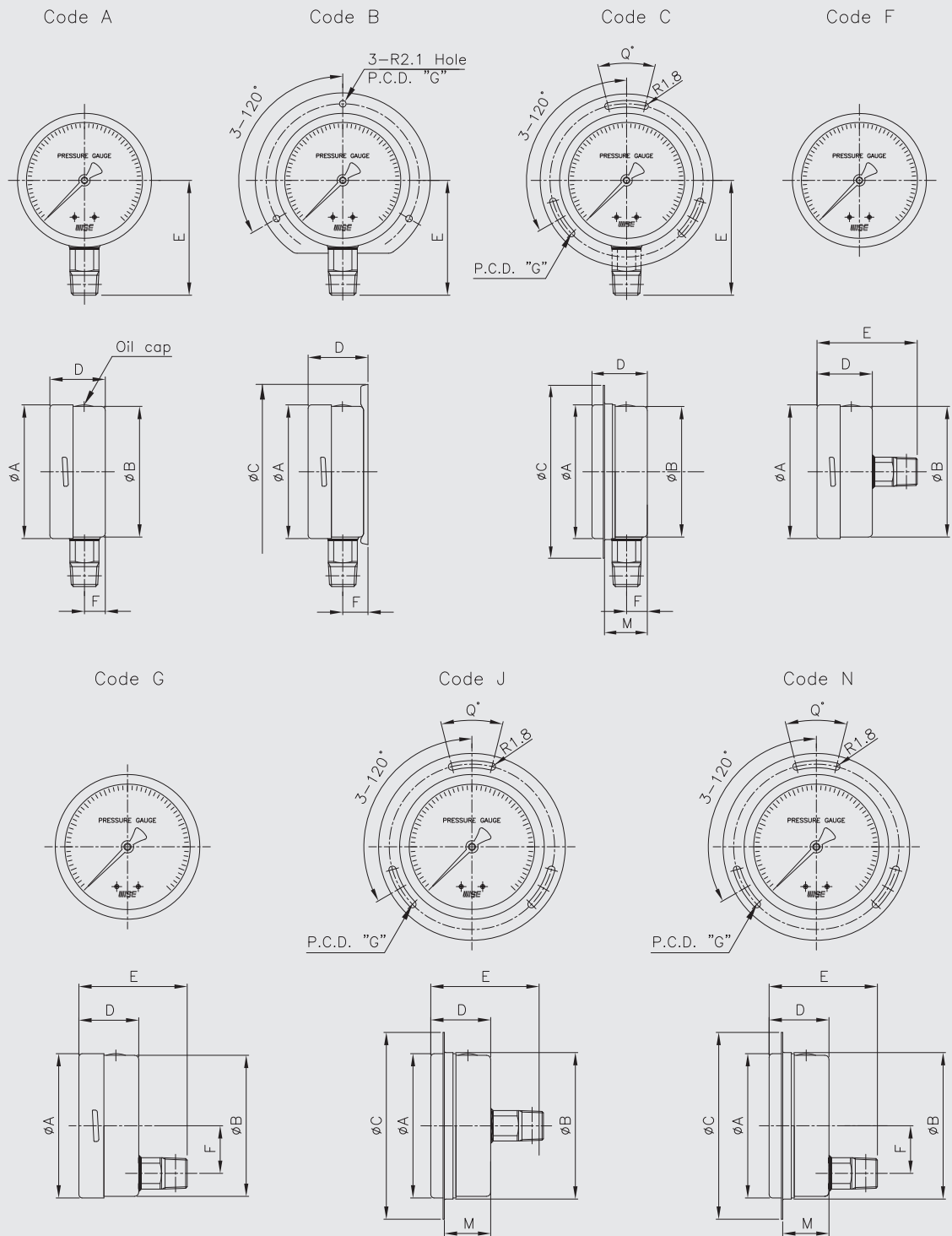
**Sample ordering code**

1	2	3	4	5	6	7	8	9	10	11
P258	4	A	3	C	D	H	XXX	3	0	1



© WISE Control Inc. All rights reserved. ALL PRODUCT, PRODUCT SPECIFICATIONS AND DATA ARE SUBJECT TO CHANGE WITHOUT NOTICE TO IMPROVE RELIABILITY, FUNCTION OR DESIGN OR OTHERWISE.

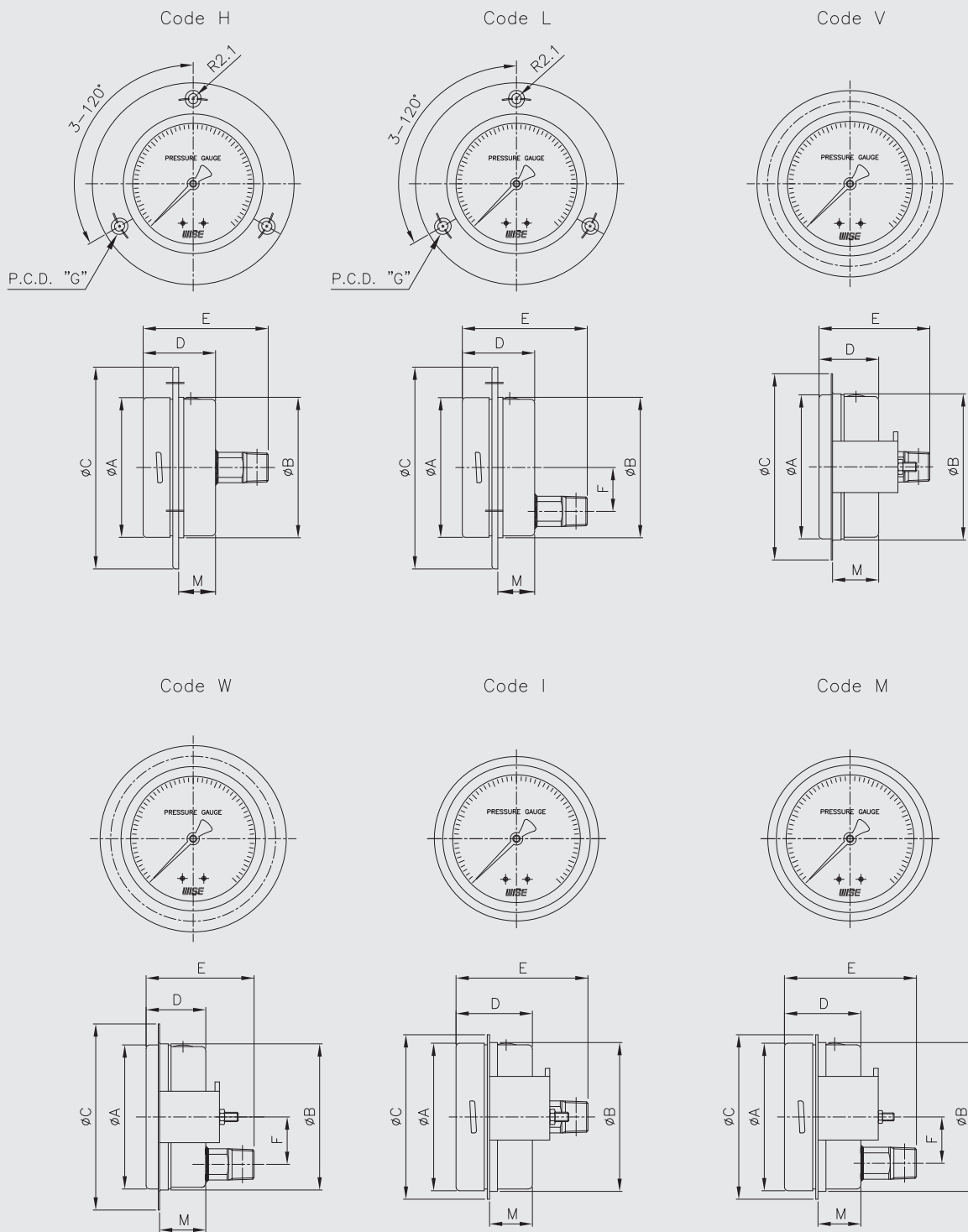
## P258 : Type of mounting (1/3)



Dimensions (mm)

Dial size	Available code	A	B	C	D $\pm$ 2	E $\pm$ 2	F $\pm$ 1	M	G	H	Q
63	A	64	62		34	61	11				
	B	64		85	37	61	15		74~75		
	C	64	62	86	34	61	11	28	75		15
	F	64	62		34	64					
	G	64	62		34	64	13				
	J	64	66	86	34	64		28	75		15
	N	64	66	86	34	64	13	28	75		15

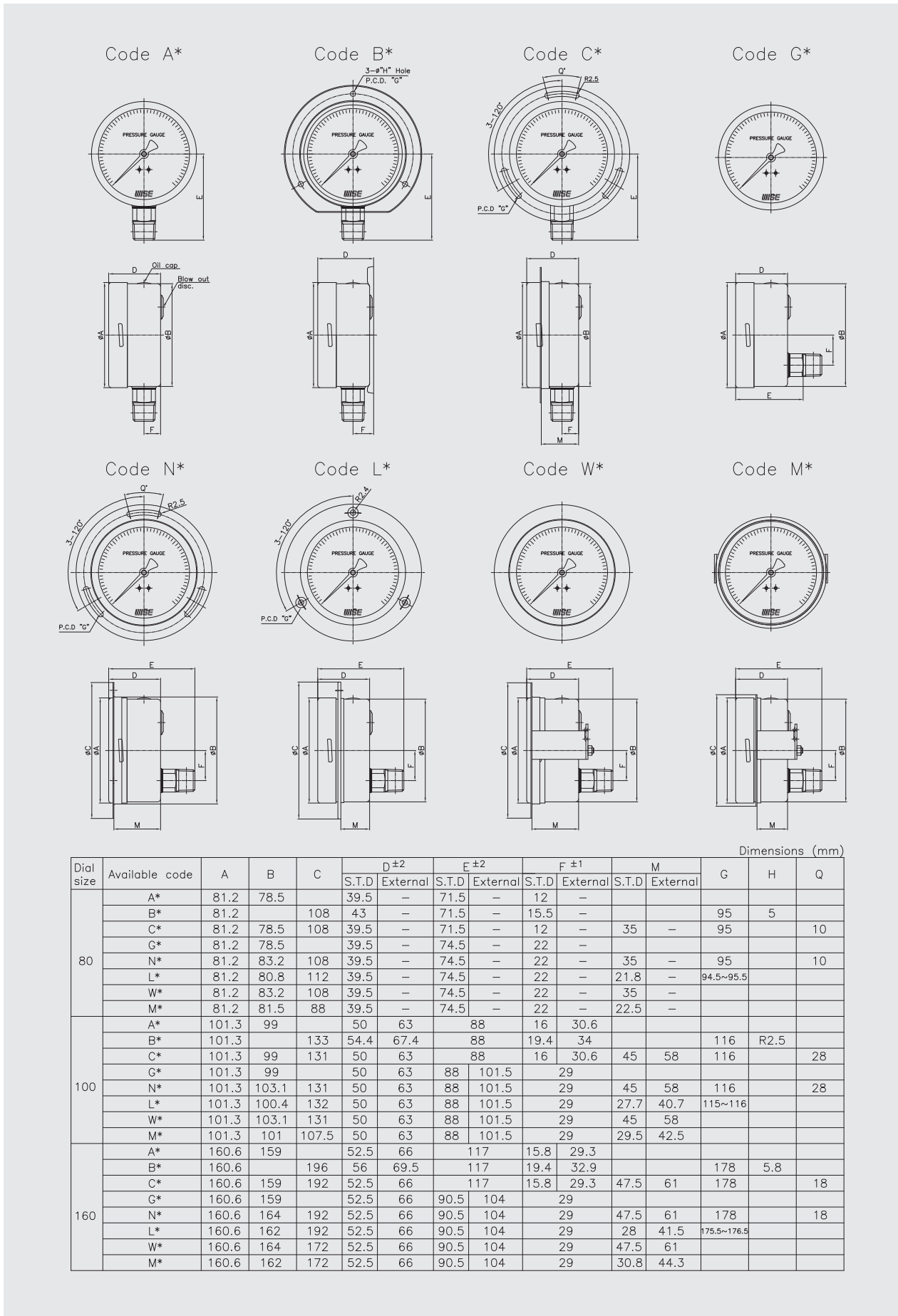
## P258 : Type of mounting (2/3)



Dimensions (mm)

Dial size	Available code	A	B	C	D $\pm 2$	E $\pm 2$	F $\pm 1$	M	G
63	H	64	64.5	92	34	64		16.8	77~78
	L	64	64.5	92	34	64	13	16.8	77~78
	V	64	66	86	34	64		28	
	W	64	66	86	34	64	13	28	
	I	64	64.5	71	34	64		18.5	
	M	64	64.5	71	34	64	13	18.5	

## P258 : Type of mounting (3/3)



Dimensions (mm)

Dial size	Available code	A	B	C	D ±2		E ±2		F ±1		M		G	H	Q
					S.T.D	External	S.T.D	External	S.T.D	External	S.T.D	External			
80	A*	81.2	78.5		39.5	—	71.5	—	12	—					
	B*	81.2		108	43	—	71.5	—	15.5	—			95	5	
	C*	81.2	78.5	108	39.5	—	71.5	—	12	—	35	—	95		10
	G*	81.2	78.5		39.5	—	74.5	—	22	—					
	N*	81.2	83.2	108	39.5	—	74.5	—	22	—	35	—	95		10
	L*	81.2	80.8	112	39.5	—	74.5	—	22	—	21.8	—	94.5~95.5		
	M*	81.2	81.5	88	39.5	—	74.5	—	22	—	22.5	—			
100	A*	101.3	99		50	63		88	16	30.6					
	B*	101.3		133	54.4	67.4		88	19.4	34			116	R2.5	
	C*	101.3	99	131	50	63		88	16	30.6	45	58	116		28
	G*	101.3	99		50	63	88	101.5		29					
	N*	101.3	103.1	131	50	63	88	101.5		29	45	58	116		28
	L*	101.3	100.4	132	50	63	88	101.5		29	27.7	40.7	115~116		
	M*	101.3	101	107.5	50	63	88	101.5		29	29.5	42.5			
160	A*	160.6	159		52.5	66		117	15.8	29.3					
	B*	160.6		196	56	69.5		117	19.4	32.9			178	5.8	
	C*	160.6	159	192	52.5	66		117	15.8	29.3	47.5	61	178		18
	G*	160.6	159		52.5	66	90.5	104		29					
	N*	160.6	164	192	52.5	66	90.5	104		29	47.5	61	178		18
	L*	160.6	162	192	52.5	66	90.5	104		29	28	41.5	175.5~176.5		
	M*	160.6	162	172	52.5	66	90.5	104		29	47.5	61			

## Pressure unit and range table

Range and code	Unit and code			Nominal diameter			
	H : bar	I : MPa	J : kPa	63 mm	80 mm	100 mm	160 mm
026	-1 ~ 0	-0.1 ~ 0	-100 ~ 0	O	O	O	O
123	0 ~ 0.4	0 ~ 0.04	0 ~ 40	X	X	O	Δ
040	0 ~ 0.5	0 ~ 0.05	0 ~ 50	X	X	O	Δ
041	0 ~ 1	0 ~ 0.1	0 ~ 100	O	O	O	O
133	0 ~ 1.6	0 ~ 0.16	0 ~ 160	X	X	O	O
042	0 ~ 2	0 ~ 0.2	0 ~ 200	O	O	O	O
134	0 ~ 2.5	0 ~ 0.25	0 ~ 250	X	X	O	O
043	0 ~ 3	0 ~ 0.3	0 ~ 300	O	O	O	O
044	0 ~ 4	0 ~ 0.4	0 ~ 400	O	O	O	O
045	0 ~ 6	0 ~ 0.6	0 ~ 600	O	O	O	O
047	0 ~ 10	0 ~ 1	0 ~ 1,000	O	O	O	O
050	0 ~ 15	0 ~ 1.5	X	O	O	O	O
143	0 ~ 16	0 ~ 1.6	X	O	O	O	O
051	0 ~ 20	0 ~ 2	X	O	O	O	O
052	0 ~ 25	0 ~ 2.5	X	O	O	O	O
054	0 ~ 35	0 ~ 3.5	X	O	O	O	O
151	0 ~ 40	0 ~ 4	X	O	O	O	O
055	0 ~ 50	0 ~ 5	X	O	O	O	O
056	0 ~ 60	0 ~ 6	X	O	O	O	O
057	0 ~ 70	0 ~ 7	X	O	O	O	O
058	0 ~ 100	0 ~ 10	X	O	O	O	O
059	0 ~ 150	0 ~ 15	X	O	O	O	O
060	0 ~ 160	0 ~ 16	X	O	O	O	O
062	0 ~ 250	0 ~ 25	X	O	O	O	O
064	0 ~ 350	0 ~ 35	X	O	O	O	O
065	0 ~ 400	0 ~ 40	X	O	O	O	O
066	0 ~ 500	0 ~ 50	X	O	O	O	O
067	0 ~ 600	0 ~ 60	X	O	O	O	O
068	0 ~ 700	0 ~ 70	X	O	O	O	O
070	0 ~ 1,000	0 ~ 100	X	O	O	O	O
074	0 ~ 1,600	0 ~ 160	X	X	X	O	O
075	0 ~ 2,000	0 ~ 200	X	X	X	O	O
006	-1 ~ 0.6	-0.1 ~ 0.06	-100 ~ 60	X	X	O	O
027	-1 ~ 1	-0.1 ~ 0.1	-100 ~ 100	O	O	O	O
007	-1 ~ 1.5	-0.1 ~ 0.15	-100 ~ 150	X	X	O	O
028	-1 ~ 2	-0.1 ~ 0.2	-100 ~ 200	O	O	O	O
029	-1 ~ 3	-0.1 ~ 0.3	-100 ~ 300	O	O	O	O
030	-1 ~ 4	-0.1 ~ 0.4	-100 ~ 400	O	O	O	O
010	-1 ~ 5	-0.1 ~ 0.5	-100 ~ 500	O	O	O	O
031	-1 ~ 6	-0.1 ~ 0.6	-100 ~ 600	O	O	O	O
014	-1 ~ 9	-0.1 ~ 0.9	-100 ~ 900	O	O	O	O
032	-1 ~ 10	-0.1 ~ 1	-100 ~ 1,000	O	O	O	O
033	-1 ~ 15	-0.1 ~ 1.5	-100 ~ 1.5 MPa	O	O	O	O
034	-1 ~ 20	-0.1 ~ 2	-100 ~ 2 MPa	O	O	O	O
017	-1 ~ 24	-0.1 ~ 2.4	-100 ~ 2.4 MPa	O	O	O	O
035	-1 ~ 25	-0.1 ~ 2.5	-100 ~ 2.5 MPa	O	O	O	O

O : Available    X : Not available    Δ : Not available with ±0.5 % of full scale