

Adjustable Type Thermometers (231T) Liquid Filled Bimetal Thermometer (235T)

Applications

- Corrosive media
- Chemical process, petroleum food industry
- Machine and plant engineering
- Piping, pressure vessels and industrial heating

Temperature Element

- Coiled bimetal

Working Range

- Maximum scale value



Special Notes

1. External "0" adjustable

Standard Specification Overview

Dial Size

- 75mm, 100mm, 125mm, 150mm

Reference Accuracy

- $\pm 2.0\%$ of Full Scale

Scale Ranges

- $-50 \sim 0 \sim 650^{\circ}\text{C}$

* For more information, see the ordering information table.

Process Connection

- PT ("R" in ISO) 1/2", NPT 1/2"

Material

- Case : 304 SS
- Ring (Cover) : 304 SS
- Connection : 304 SS
- Stem : 304 SS
- Window : Glass
- Dial : White Aluminum with Black Graduations
- Pointer : Aluminum Alloy, Black Finished
- Liquid Filled : 235T (Silicone)

Degree Protection

- IP67

Optional Extra

- Test Report by Manufacturer
- Test Report by KOLAS (ILAC-MRA)
- 316 SS Case & Cover
- Stem Material (316 SS)
- OEM Service for a specific customer
- High Accuracy ($\pm 1.0\%$ of F.S.) Calibration

Ordering Information for 231T, 235T

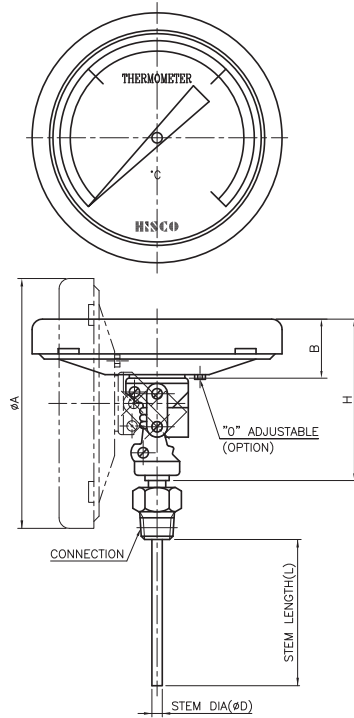
● = Standard Products ▲ = Available NA = Not Available

Model	Description	Case & Ring	Connection/Stem			
231T	Adjustable Type Thermometers	304 SS	304 SS / 304 SS			
235T	Adjustable Type Thermometers with Filled Fluid	304 SS	304 SS / 304 SS			
Code	Dial Size	Accuracy				
30	75mm	±2.0% of Full Scale				
40	100mm	±2.0% of Full Scale				
50	125mm	±2.0% of Full Scale				
60	150mm	±2.0% of Full Scale				
Code	Mounting Type		30	40	50	60
A	Adjustable Bottom Connection Stem Mounting		●	●	●	●
Code	Process Connection Style		30	40	50	60
2	PT ("R" in ISO Standard)		●	●	●	●
3	PF ("G" in ISO Standard)		▲	▲	▲	▲
4	NPT		●	●	●	●
0	Others		☞	☞	☞	☞
Code	Process Connection Size		30	40	50	60
D	3/8"		▲	▲	▲	▲
F	1/2"		●	●	●	●
X	Others		☞	☞	☞	☞
Code	Range		30	40	50	60
XXX	Refer to the Temperature Range Code Table		●	●	●	●
Code	Sensor (Stem) Outer Diameter		30	40	50	60
M6	6.4mm		●	●	●	●
M8	8.0mm		▲	▲	▲	▲
M1	10.0mm		▲	▲	▲	▲
Please request for other size of stem out Diameter.						
Code	Sensor (Stem) Length					
0075	75mm	0400	400mm			
0100	100mm	0450	450mm			
0150	150mm	0500	500mm			
0200	200mm	0550	550mm			
0250	250mm	0600	600mm			
0300	300mm	0650	650mm			
0350	350mm	0700	700mm			
XXXX	Other (specify the length in mm or inch)					
Code	Applicable Accessory Options		30	40	50	60
W1	With Thermowell		▲	▲	▲	▲
J1	Swivel Nut		▲	▲	▲	▲
J2	Compression Fitting		▲	▲	▲	▲
J3	Adjustable Union		▲	▲	▲	▲
J4	Screw Union for 3/4"		▲	▲	▲	▲
J0	N/A		●	●	●	●

Code	Other Options	30	40	50	60
Test Reports					
T1	Test Report by Manufacturer	▲	▲	▲	▲
T2	Test Report by KOLAS (ILAC-MRA)	▲	▲	▲	▲
Material Option					
SM	Stem Material (316 SS)	▲	▲	▲	▲
S6	316 SS Case & Cover (Ring)	▲	▲	▲	▲
Other Option					
OE	OEM Service for a specific customer	▲	▲	▲	▲
AC	High Accuracy ($\pm 1.0\%$ of F.S.) Calibration	▲	▲	▲	▲
Sample Model Selection : 231T40A2F117M60100J0					
* The standard specification and price are subject to change without prior notice					

Adjustable Type Thermometers (231T, 235T)

TYPE-A



(UNIT : mm)

Code	Dial Size	A	B	H
30	φ75	87	18	83
40	φ100	111	18	85
50	φ125	137	19	85
60	φ150	168	27	92

HISCO HISCO, INC.

15-5, Yangpyeong-dong, 4-ga, Yeongdeungpo-gu, 150-866 Seoul, Korea
 T : 82-2-2677-6046 F : 82-2-2672-1873 <http://www.hiscoi.com>