

Electric Contact Pressure Gauges (801P (H), 802P (L), 803P (H&L), 804P (H&HH) & 805P (L&LL) Series)

Applications

- Corrosion resistance
- Pumps, compressors and regulators
- Refining & marine industry
- Control and regulation of industrial processes
- Monitoring of plants and switching of electric circuits
- Indication of limit values

Pressure Limitation

- Steady : 3/4 of full scale value
(recommendation : 25% to 75% of full scale)
- Fluctuating : 2/3 of full scale value
(recommendation : lower 50% of full scale)
- Short time : 130% of full scale value (over range protection)

Operating Temperature

- Ambient : -20 ~ 65°C
- Media (Fluid) : +100°C maximum



Standard Specification Overview

Dial Size

- 100mm (4"), 150mm (6")

Reference Accuracy

- 100mm, 150mm : $\pm 1.0\%$ of Full Scale

Scale Ranges

- 100mm, 150mm : Vacuum, Compound & 0 ~ 100 MPa

* For more information, see the ordering information table.

Process Connection

- 100mm (4") : PT ("R" in ISO) 3/8", 1/2"
- 150mm (6") : PT ("R" in ISO) 1/2"

Electric Contacts

- Contact Rating : AC 110V, 0.5A / AC 200V, 0.25A
- Dielectric Strength : AC 1,000A / Min

Material

- Case : 304 SS
- Cover (Ring) : 304 SS
- Window : Acrylic
- Pointer : Aluminum Alloy, Black Finished
- Connection : 316 SS
- Element (Bourdon Tube) : 316 SS
- Movement : Stainless steel
- Dial Plate : White Aluminum with Black Graduations

Degree of Protection

- IP 54

Optional Extra

- Test Report by Manufacturer
- Test Report by KOLAS (ILAC-MRA)

Ordering Information for 801P Series

● = Standard Products ▲ = Available NA = Not Available

Model	Description	Case & Cover	Wetted Parts	Contact Location				
801P	Electric Contact Pressure Gauges	304 SS	316 SS	One High Contact Point (H)				
802P	Electric Contact Pressure Gauges	304 SS	316 SS	One Low Contact Point (L)				
803P	Electric Contact Pressure Gauges	304 SS	316 SS	Two Contact Points (H & L)				
804P	Electric Contact Pressure Gauges	304 SS	316 SS	Two Contact Points (H & HH)				
805P	Electric Contact Pressure Gauges	304 SS	316 SS	Two Contact Points (L & LL)				
Code	Dial Size	Accuracy	801P	802P	803P	804P	805P	
40	100mm (4")	± 1.0% of F.S.	●	●	●	●	●	
60	150mm (6")	± 1.0% of F.S.	●	●	●	●	●	
Code	Mounting Type						40	60
A	Bottom Connection without Mounting Flange						●	●
B	Bottom Connection with Back Mounting Flange						●	●
L	Lower Back Connection without Mounting Flange						●	●
J	Lower Back Connection with 3-hole Front Mounting Flange						●	●
Code	Process Connection Style						40	60
2	PT ("R" in ISO Standard)						●	●
3	PF ("G" in ISO Standard)						▲	▲
4	NPT						▲	▲
X	Others						☞	☞
Code	Process Connection Size						40	60
D	3/8"						●	▲
F	1/2"						●	●
Code	Pressure Range						40	60
001	-0.1 ~ 0 MPa						●	●
002	-0.1 ~ 0.1 MPa						●	●
003	-0.1 ~ 0.2 MPa						●	●
004	-0.1 ~ 0.3 MPa						●	●
005	-0.1 ~ 0.4 MPa						●	●
006	-0.1 ~ 0.6 MPa						●	●
007	-0.1 ~ 1 MPa						●	●
008	-0.1 ~ 1.5 MPa						●	●
009	-0.1 ~ 2 MPa						●	●
111	0 ~ 0.05 MPa						●	●
112	0 ~ 0.1 MPa						●	●
113	0 ~ 0.2 MPa						●	●
114	0 ~ 0.3 MPa						●	●
115	0 ~ 0.4 MPa						●	●
116	0 ~ 0.6 MPa						●	●
118	0 ~ 1 MPa						●	●
119	0 ~ 1.5 MPa						●	●
120	0 ~ 2 MPa						●	●

121	0 ~ 2.5 MPa	●	●
122	0 ~ 3.5 MPa	●	●
124	0 ~ 5 MPa	●	●
126	0 ~ 7 MPa	●	●
127	0 ~ 10 MPa	●	●
128	0 ~ 15 MPa	●	●
129	0 ~ 25 MPa	●	●
130	0 ~ 35 MPa	●	●
132	0 ~ 50 MPa	●	●
134	0 ~ 70 MPa	●	●
135	0 ~ 100 MPa	●	●

* MPa (SI Unit) is the standard dial scale but others are available upon request.

Code	Applicable Accessory Options
J0	Not Apply
J1	Adapter
J2	Gauge Unions
J3	Syphon Tubes
J4	Pulsation Dampeners
J5	Pressure Snubber
J7	Gauge Savers (Gauge Protectors)
J8	Safety Kloser
J9	Manifold Valves

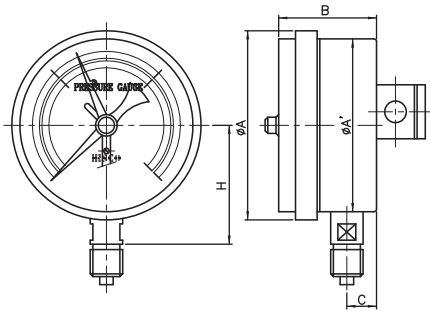
Code	Options	40	60
Test Reports			
T1	Test Report by Manufacturer	▲	▲
T2	Test Report by KOLAS (ILAC-MRA)	▲	▲

Sample Model Selection : 801P40A2D001J0

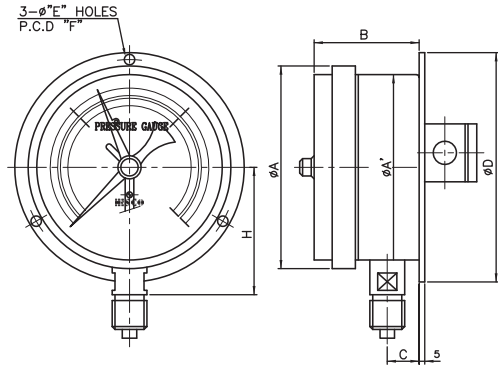
* The standard specification and price are subject to change without prior notice.

Electric Contact Pressure Gauges (801P (H), 802P (L), 803P (H&L), 804P (H&HH) & 805P (L&LL) Series)

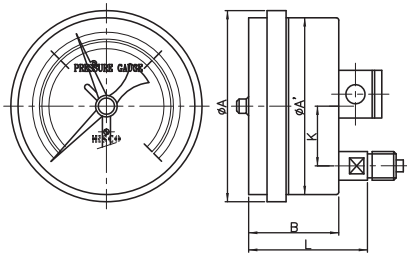
TYPE-A



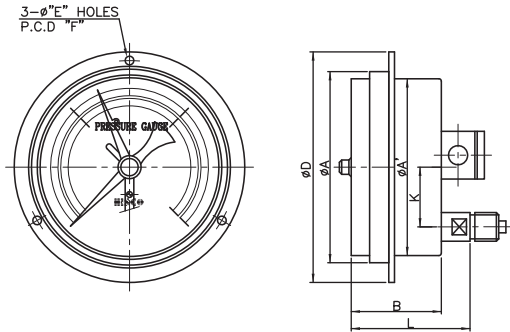
TYPE-B



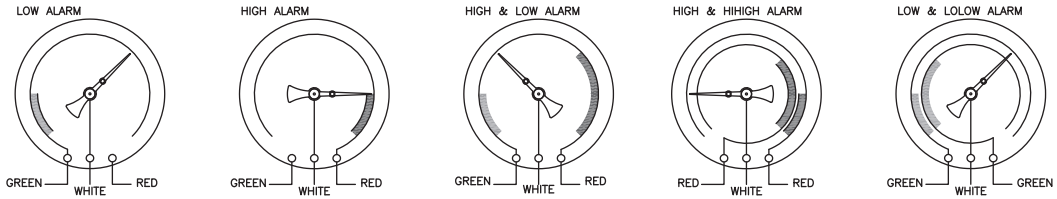
TYPE-L



TYPE-J



• Contact Function Table



(UNIT : mm)

Code	Dial Size	(Available Type)	A	B	C	D	E	F	G	H	L	K
40	φ100	A,B,[L,J]	114.5	73[66]	16	137	5.5	124	101.5	78	90.5	35
60	φ150	A,B,[L,J]	168	75[73]	19	185.5	6	174	153	102	101	50

HISCO HISCO, INC.

32, Seonyu-ro 43-gil, Yeongdeungpo-gu, Seoul, Korea
T : 82-2-2677-6046 F : 82-2-2672-1873 <http://www.hiscoi.com>