

DIN Type Electric Contact Pressure Gauges (821P Series)

Applications

- Suitable for corrosive fluid and high pressure measurement
- Control and regulation of industrial processes
- Monitoring of plants and switching of electric circuits
- Indication of limit values
- In machine and plant construction, chemical and petrochemical industry
- power plants, mining, onshore and offshore and environmental engineering
- Inductive alarm contacts for safe switching, even in explosion hazardous areas

Pressure Limitation

- Steady : full scale value
- Fluctuating : 0.9 of full scale value

Operating Temperature

- Ambient : -40 ~ 65°C
- Media (Fluid) : +100°C maximum



Special Notes

1. Other Process Connections are available as option.

Standard Specification Overview

Dial Size

- 100mm (4"), 160mm (6.5")

Reference Accuracy

- $\pm 1.0\%$ of Full Scale

Scale Ranges

- 100mm, 160mm : Vacuum, Compound & 0 ~ 1600 bar
- * For more information, see the ordering information table.

Process Connection

- PT 3/8", PF 3/8", NPT 1/2"

Electric Contacts

- Contact : Dual or Triple set point
- Contact Rating : AC 110V, 0.5A / AC 200V, 0.25A
- Dielectric Strength : AC 1,000A / Min

Material

- Case & Ring : 304 SS
- Window : Acrylic
- Pointer : Aluminum Alloy, Black Finished
- Connection : 316 SS
- Element (Bourdon Tube) : 316 SS
- Movement : Stainless steel
- Dial : White Aluminum with Black Graduations

Degree of Protection

- IP 65

Optional Extra

- Test Report by Manufacturer
- Test Report by KOLAS (ILAC-MRA)
- Cleaning Service (USE NO OIL)
- Material Certificate (Mill Sheet)

Ordering Information for 821P Series

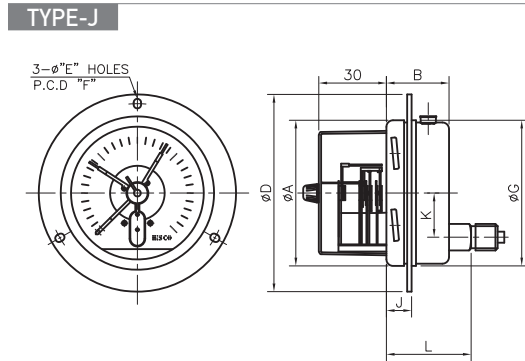
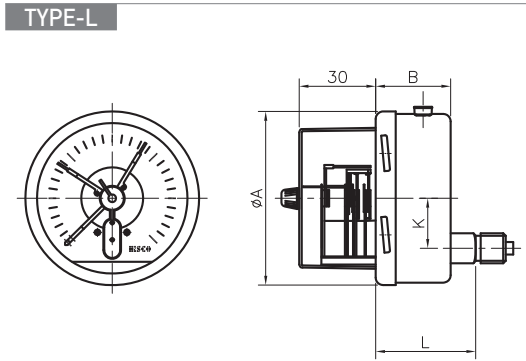
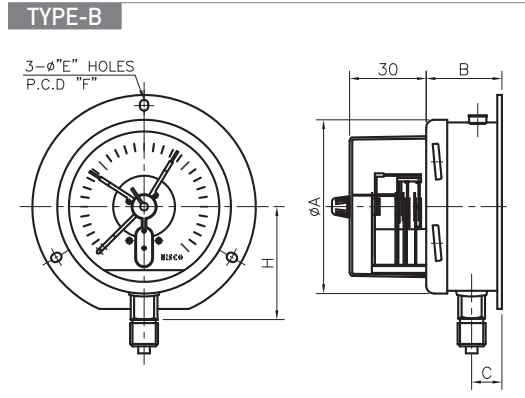
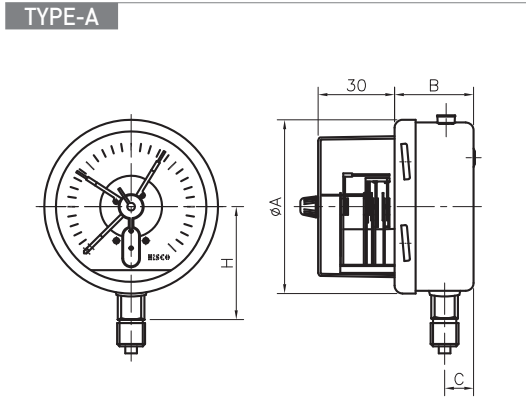
● = Standard Products ▲ = Available NA = Not Available

Model	Description	Case & Cover	Wetted Parts	
821P	DIN Type Electric Contact Pressure Gauges	304 SS	316 SS	
Code	Dial Size	Accuracy	821P	
40	100mm (4")	± 1.0% of F.S.	●	
65	160mm (6.5")	± 1.0% of F.S.	●	
Code	Mounting Type		40	65
A	Bottom Connection without Mounting Flange		●	●
B	Bottom Connection with Back Mounting Flange		●	●
L	Lower Back Connection without Mounting Flange		●	●
J	Lower Back Connection with 3-hole Front Mounting Flange		●	●
Code	Connection Type		40	65
4	NPT		●	●
X	Others		☞	☞
Code	Process Connection Size		40	65
D	3/8"		●	●
F	1/2"		●	●
Code	Pressure Range		40	65
501	-1 ~ 0 bar		●	●
503	-1 ~ 1.5 bar		●	●
504	-1 ~ 3 bar		●	●
506	-1 ~ 5 bar		●	●
507	-1 ~ 9 bar		●	●
508	-1 ~ 15 bar		●	●
611	0 ~ 0.6 bar		●	●
612	0 ~ 1 bar		●	●
613	0 ~ 1.6 bar		●	●
614	0 ~ 2.5 bar		●	●
615	0 ~ 4 bar		●	●
616	0 ~ 6 bar		●	●
618	0 ~ 10 bar		●	●
619	0 ~ 16 bar		●	●
621	0 ~ 25 bar		●	●
623	0 ~ 40 bar		●	●
625	0 ~ 60 bar		●	●
627	0 ~ 100 bar		●	●
628	0 ~ 160 bar		●	●
629	0 ~ 250 bar		●	●
631	0 ~ 400 bar		●	●
633	0 ~ 600 bar		●	●
635	0 ~ 1000 bar		●	●

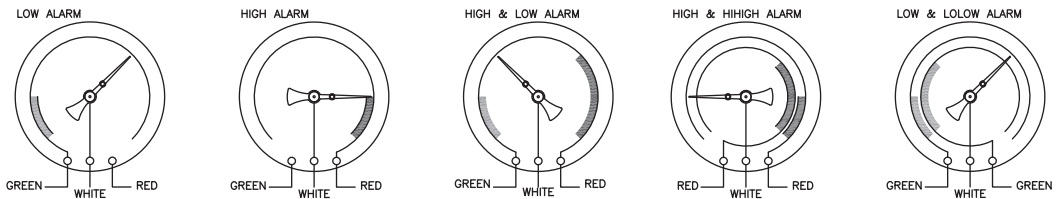
* bar is the standard dial scale but others are available upon request.

Code	Contact Location	40	65
H1	One High Contact Point	●	●
L1	One Low Contact Point	●	●
D2	Two Contact Points (High and Low)	●	●
H2	Two Contact Points (High and Hi-High)	●	●
L2	Two Contact Points (Low and Lo-Low)	●	●
Code	Applicable Accessory Options		
J0	Not Apply		
J1	Adapter		
J2	Gauge Unions		
J3	Syphon Tubes		
J4	Pulsation Dampeners		
J5	Pressure Snubber		
J7	Gauge Savers (Gauge Protectors)		
J8	Safety Kloser		
J9	Manifold Valves		
Code	Options	40	65
Test Reports			
T1	Test Report by Manufacturer	▲	▲
T2	Test Report by KOLAS (ILAC-MRA)	▲	▲
Other Option			
C1	Cleaning Service (USE NO OIL)	▲	▲
M1	Material Certificate (Mill Sheet)	▲	▲
Sample Model Selection : 821P25A4F501H1J0			
* The standard specification and price are subject to change without prior notice.			

DIN Type Electric Contact Pressure Gauges (821P Series)



•Contact Function Table



[UNIT : mm]

Code	Dial Size	(Available Type)	A	B	C	D	E	F	G	H	J	L	K
40	$\phi 100$	A,(B)	101	49.5(53.5)	16.5(19.5)	-	5.5	114	-	70.5	-	-	-
		L,J		49.5	-	130(113)	-		99	24.5	69	29	
65	$\phi 160$	A,(B)	161	50(50)	16.5(19.5)	-	5.5	173	-	97	-	-	-
		L,J		50	-	190(185.5)	-		159	22.8	70	29	

HISCO HISCO, INC.

32, Seonyu-ro 43-gil, Yeongdeungpo-gu, Seoul, Korea
 T : 82-2-2677-6046 F : 82-2-2672-1873 <http://www.hiscoi.com>