

# Adjustable Type Thermometer (TR,AR Series)

<HSI>

Pressure/ Temperature Instrument

## Summary

- 각도조절형
- 부식성 매체
- 화학, 석유, 식품 산업
- 기계 및 플랜트 엔지니어링
- 배관 및 산업용 난방시설

## Standard features

### Diameter

75,100mm

### Accuracy

75,100mm :  $\pm 2.0$  of Full Scale

### Scale Range

75,100mm : -50 ~ 650°C

### Process connection

75,100mm : PT,PF,NPT - 1/4", 3/8", 1/2", 1"

### Material

Case : 304SS

Cover : 304SS

Window : General Glass

Connection : 304SS, 316SS

Stem : 304SS, 316SS

Element : Bimetal Coiled

Pointer : Black Aluminum

## TR,AR Series



## Common Temperature

75% of Full Scale

## Option

Test Report by Manufacturer

Test Report by KOLAS

High Accuracy

OEM Service for a specific customer

## Temperature Element

Bimetal Coiled

Pressure Gauge

Temperature Gauge

Temperature Element

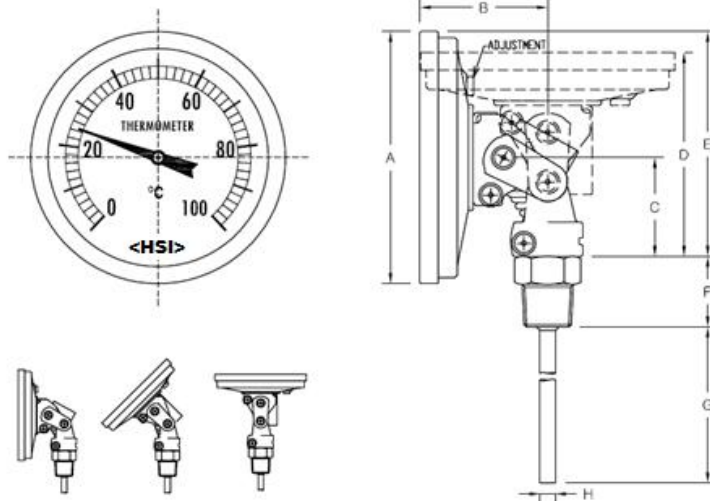
# Adjustable Type Thermometer (TR,AR Series)

<HSI>

Pressure/ Temperature Instrument

## Type of Mounting

### TR,AR Series



Model	Dial	A	B	C	D	E	F	G	H
TR,AR	75	84.0	47.0	95.0	95.0	95.0	HEX 24-30L	75-1000L	4.0, 5.0, 6.0, 6.4, 8.0, 10.0, 12.0Ø
	100	107.0	53.7	86.5	86.5	95.0			
온도범위		1눈금 온도				제작가능 최소길이 (6.4Ø)			
						75Ø	100Ø		
0~50℃		1				60	75		
0~100℃		2				50	50		
0~150℃		5				40	40		
0~200℃		5				40	40		
0~250℃		5				30	45		
0~300℃		5				50	50		
0~350℃		5				50	50		
0~400℃		10				60	60		
0~500℃		10				60	60		
0~600℃		10				60	60		
-50~50℃		2				50	50		
-30~50℃		2				75	75		
-30~100℃		5				50	50		
-20~50℃		2				80	80		
-20~100℃		2				45	55		

Pressure Gauge

Temperature Gauge

Temperature Element