

Filled Type Thermometer (MT Series)

<HSI>

Pressure/ Temperature Instrument

Summary

- 부식성, 비부식성 매체
- 화학, 석유, 식품 산업
- 기계 및 플랜트 엔지니어링
- 배관 및 산업용 난방시설

Standard features

Diameter

75,100,125,150mm

Accuracy

75,100,125,150mm : ± 2.0 of Full Scale

Degree Protection

IP67

Scale Range

75,100,150mm : -200 ~ 700°C

Process connection

75,100,125,150mm : PT,PF,NPT - 3/8", 1/2", 1"

Material

Case : 304SS

Cover : 304SS

Window : General Glass

Connection : 304SS, 316SS

Stem : 304SS, 316SS

Element : Bimetal Coiled

Pointer : Black Aluminum

Temperature Element

Gas Filled System

MT Series



Pressure Gauge

Temperature Gauge

Common Temperature

75% of Full Scale

Option

Test Report by Manufacturer

Test Report by KOLAS

High Accuracy

OEM Service for a specific customer

Temperature Element

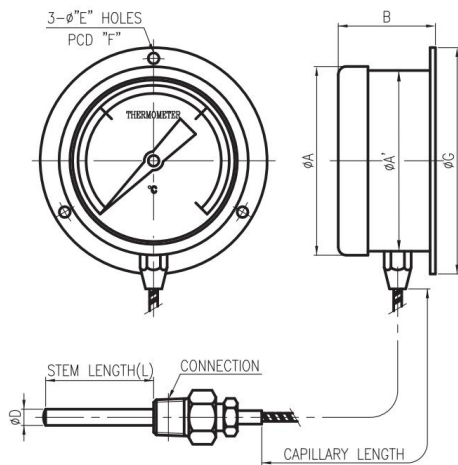
Industrial Service Bimetal Thermometer (LR Series)

<HSI>

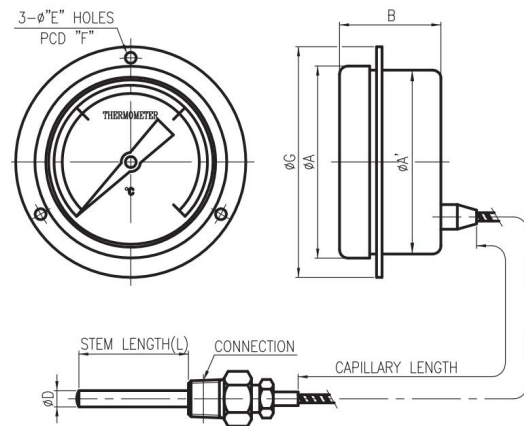
Pressure/ Temperature Instrument

Type of Mounting

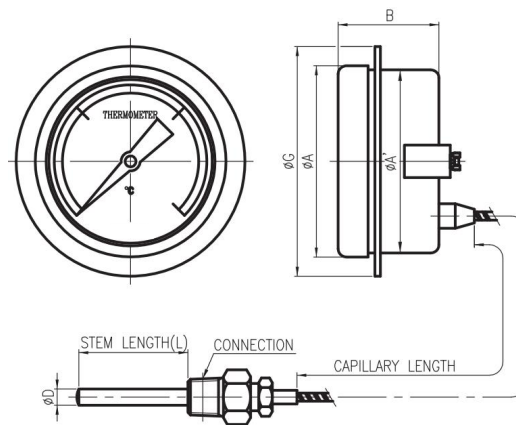
TYPE - B



TYPE - BL



TYPE - BK



Model	Dial	A	A'	B	E	F	G	H
B,BL,BK	75	86	77	44	4.5	92	106	103
	100	111	101	45	5.5	115	128	120
	150	168	153	55	6.5	174	193	140

Pressure Gauge

Temperature Gauge

Temperature Element